

**JUMO GmbH & Co. KG**  
 Delivery address: Mackenrodtstraße 14,  
 36039 Fulda, Germany  
 Postal address: 36035 Fulda, Germany  
 Phone: +49 661 6003-0  
 Fax: +49 661 6003-607  
 E-mail: mail@jumo.net  
 Internet: www.jumo.net

**JUMO Instrument Co. Ltd.**  
 JUMO House  
 Temple Bank, Riverway  
 Harlow - Essex CM20 2DY, UK  
 Phone: +44 1279 63 55 33  
 Fax: +44 1279 63 52 62  
 E-mail: sales@jumo.co.uk  
 Internet: www.jumo.co.uk

**JUMO Process Control, Inc.**  
 8 Technology Boulevard  
 Canastota, NY 13032, USA  
 Phone: 315-697-JUMO  
 1-800-554-JUMO  
 Fax: 315-697-5867  
 E-mail: info@jumo.us  
 Internet: www.jumo.us



# JUMO Wtrans probe RTD temperature probe with wireless transmission of the measured values

- For measured temperatures from -30 ... +260°C or -200 ... +600°C
- For mobile or stationary temperature measurement
- Open air range 300m
- No wiring work due to modern radio technology
- Fail-safe transmission with telegram coding

Wtrans probes are used in connection with corresponding Wtrans receivers for the mobile or stationary temperature measurement within the application range of -30 ... +260°C or -200 ... +600°C. The ambient handle temperature must be between -30 ... +85°C. The measured temperature value is transmitted wireless to the receiver of the Wtrans system, displayed on the system and provided on the Wtrans receiver as a digital RS485 interface and analog outputs and/or relay outputs. The radio frequency within the ISM band (Industrial, Scientific and Medical Band) is 868.4 MHz or 915 MHz. These frequencies are almost insensitive to external interferences and allow transmission even in a rough industrial environment. When using the antenna wall holder with the 3m long cable for the receiver, the maximum open air range is 300m.

The RTD temperature probe transmitter is fitted in the oil-resistant and acid-proof handle. The system has a shakeproof design.

The protection class is IP67. The stainless steel thermowell is available with flat, oblique or concentric insertion tip. The fitting length is between 50 ... 1000mm.

The measuring insert is equipped with a Pt 1000 temperature probe according to EN 60 751, class A in 3-wire-circuit as a standard.

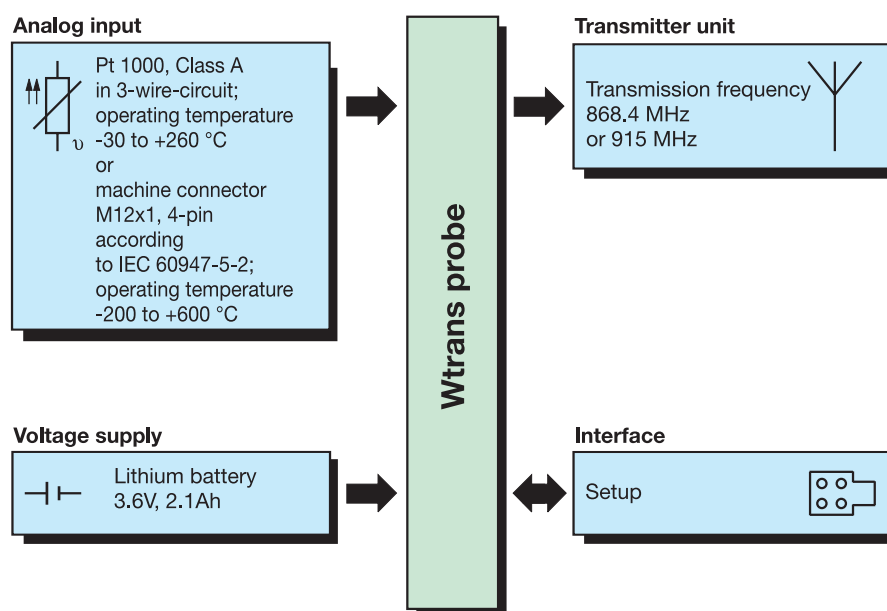
The 902930/50 ... type is additionally equipped with a stainless steel neck tube and is available with an M12 connection for Pt 1000 RTD temperature probes.

A lithium battery with 3.6V, 2.1 Ah is used to supply voltage to the Wtrans probe.



Type 902930/10 ...

## Block diagram



## Matching Wtrans receivers

- Max. 16 Wtrans probes per Wtrans receiver
- Low wiring work due to modern radio technology
- Radio frequency 868.4 MHz or 915 MHz; in the 915 MHz frequency band, ten frequencies can be configured
- Interface RS485 with Modbus protocol
- Four analog outputs 0(4) ... 20mA/0 ... 10V or two analog outputs 0(4) ... 20mA/0 ... 10V and two relay outputs AC 230V
- For installation on top hat rail 35mm x 7.5mm according to EN 60 715

For further information please refer to data sheet 90.2931

Approval/approval marks (see Technical Data)



**JUMO GmbH & Co. KG**  
 Delivery address: Mackenrodtstraße 14,  
 36039 Fulda, Germany  
 Postal address: 36035 Fulda, Germany  
 Phone: +49 661 6003-0  
 Fax: +49 661 6003-607  
 E-mail: mail@jumo.net  
 Internet: www.jumo.net

**JUMO Instrument Co. Ltd.**  
 JUMO House  
 Temple Bank, Riverway  
 Harlow - Essex CM20 2DY, UK  
 Phone: +44 1279 63 55 33  
 Fax: +44 1279 63 52 62  
 E-mail: sales@jumo.co.uk  
 Internet: www.jumo.co.uk

**JUMO Process Control, Inc.**  
 8 Technology Boulevard  
 Canastota, NY 13032, USA  
 Phone: 315-697-JUMO  
 1-800-554-JUMO  
 Fax: 315-697-5867  
 E-mail: info@jumo.us  
 Internet: www.jumo.us



## Technical Data

### Analog input

Measuring input	Pt 1000 according to EN 60 751, in 3-wire-circuit
Operating temperature range	Type 902930/10 ... and 902930/12 ... -30 ... +260 °C, Type 902930/50 ...: -200 ... +600 °C (relating to the thermowell up to approx. 20mm below the handle)
Temperature probe accuracy	Class A $\pm(0.15K + 0.002 \times  t )$  t  = measured temperature in °C without prefix
Probe lead resistance	$\leq 11$ Ohm per lead with 3-wire-circuit
Probe current	$\leq 500 \mu A$
Measuring circuit monitoring	Detection of probe break and short-circuit

### Output (radio transmission)

Probe detection (probe ID)	max. 5-digit ID, factory-set, can be configured customer-specific
Transmission interval	adjustable from 1 ... 3600s (ex-factory 10s)
Transmission frequency	ISM band 868.4 MHz (Europe) or 915 MHz (America, Australia, Canada and New Zealand); in the 915 MHz frequency band, ten frequencies can be configured
Transmission capacity	+10dBm
Open air range	max. 300m when using the antenna wall holder of the receiver and 3m long antenna cable. When installing the antenna directly onto the receiver, a reduced range of approx. 40% must be taken into account.
Output signal	882.2 ... 1977.1 ohm $\Delta$ -30 ... +260 °C; 185.2 ... 3137.1 ohm $\Delta$ -200 ... +600 °C;
Response time of the complete probe	$t_{0,9} \leq 10s$
Calibration accuracy of the electronic components	$\leq \pm 0,05\% ^1$
Configuration	with set-up program
configurable parameters	Probe ID (max. 5-digit ID), transmission interval, transmission frequency (with 915 MHz only)

### Voltage supply

Lithium battery	Voltage: 3,6V, rated capacity: 2,1Ah
Operating life	approx. 1 year with the factory-set values and at room temperature (a fast transmission interval and a high or low ambient temperature reduce the battery operating life)
Battery change	only use the pre-converted lithium battery available as accessories

### Environmental influences

Ambient temperature range	Type 902930/10 ..., 902930/12 ... and 902930/50 ... : -30 ... +85 °C (handle incl. electronic components)
Storage temperature range	Type 902930/10 ..., 902930/12 ... and 902930/50 ... : -40 ... +85 °C (handle incl. electronic components)
Temperature influence	$\leq \pm 0.0025\% ^1 /K$ ; per K deviation from the reference temperature 22 °C ( $\pm 3K$ ) (handle)
Ambient conditions	rel.humidity $\leq 95\%$ w/o condensation according to IEC 68-2-30
Vibration resistance	max. 2g at 10 ... 2000Hz (referred to the handle with electronic components) acc.to DIN IEC 60 068-2-6
Admissible mechanical shock resistance	25g/6ms (relating to the handle including electronic components) IEC 68-2.29 per 1000 cycles
EMC	DIN EN 61 326
- emitted interference	Class A - Only for industrial use -
- interference resistance	Industrial requirements
- radio frequency spectrum	ETSI EN 300 220-1, V 1.3.1

### Case

Material	PEI (Polyetherimid)
Flammability class	UL 94 HB
Dimensions	Diameter $\varnothing$ approx. 32mm, length approx. 126mm, thermowell fitting length 50 ... 1000mm, 50 ... 10000mm for type 902930/12 ...
Protection class	IP67 acc.to DIN EN 60 529 for type 902930/10 ... and 902930/12 ..., for type 902930/50 ... with M12 connection screwed-on only
Installation position	any
Weight	approx. 120g

<sup>1</sup> All accuracy specifications in % relating to the measuring range of 290K.

**JUMO GmbH & Co. KG**  
 Delivery address: Mackenrodtstraße 14,  
 36039 Fulda, Germany  
 Postal address: 36035 Fulda, Germany  
 Phone: +49 661 6003-0  
 Fax: +49 661 6003-607  
 E-mail: mail@jumo.net  
 Internet: www.jumo.net

**JUMO Instrument Co. Ltd.**  
 JUMO House  
 Temple Bank, Riverway  
 Harlow - Essex CM20 2DY, UK  
 Phone: +44 1279 63 55 33  
 Fax: +44 1279 63 52 62  
 E-mail: sales@jumo.co.uk  
 Internet: www.jumo.co.uk

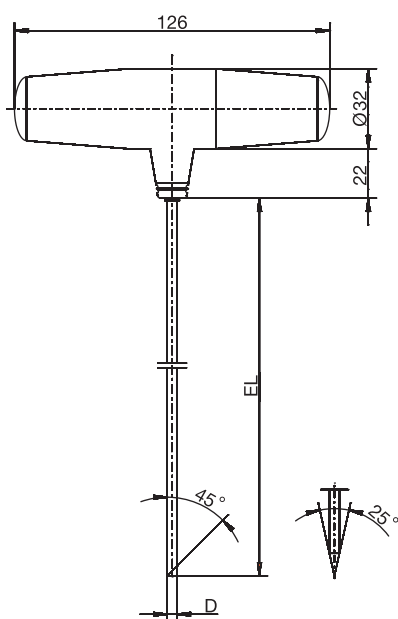
**JUMO Process Control, Inc.**  
 8 Technology Boulevard  
 Canastota, NY 13032, USA  
 Phone: 315-697-JUMO  
 1-800-554-JUMO  
 Fax: 315-697-5867  
 E-mail: info@jumo.us  
 Internet: www.jumo.us



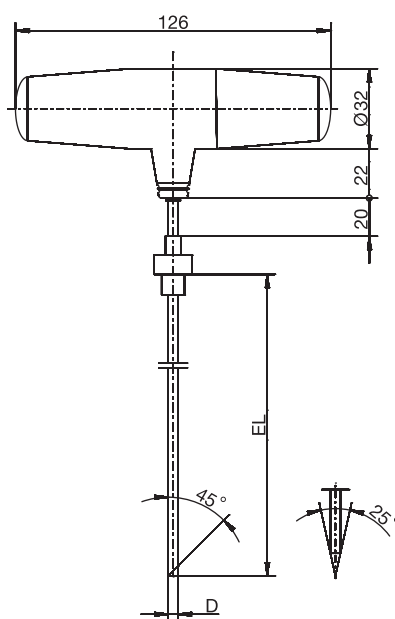
### Approval/approval marks

Approval marks	Inspection authority	Certificates/inspection numbers	Inspection basics	valid for
IC	Industry Canada	7472A-WTRANST01	RSS210 Issue 7	915 MHz, type 902930/10
FCC	Federal Communications Commission	VT4-WTRANST01	FCC Rule Part 15C	915 MHz, type 902930/10
c UL us	Underwriters Laboratories	E201387-A1-UL-1	UL 61010-1 CAN/CSA-22.2 No. 61010-1	3,6V, type 902930/10

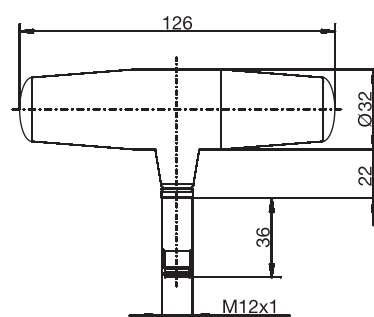
### Dimensions



Type 902930/10 ...  
 Type 902930/12 ...



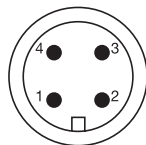
Type 902930/10 ... with process connection  
 Type 902930/12 ... with process connection



Type 902930/50 ... with M12 connection

### Connection diagram

Machine connector M12x1, 4-pin  
 according to IEC 60 947-5-2



Electrical connection	Connection assignment
<b>Type 902930/50 ...</b> RTD temperature probes in 3-wire-circuit (input)	

For a safe, interference free device operation, only connect shielded measuring inserts with shielded cables and connected shielding on both sides (shielding connected to thermowell and to machine connector M12).

**JUMO GmbH & Co. KG**  
 Delivery address: Mackenrodtstraße 14,  
 36039 Fulda, Germany  
 Postal address: 36035 Fulda, Germany  
 Phone: +49 661 6003-0  
 Fax: +49 661 6003-607  
 E-mail: mail@jumo.net  
 Internet: www.jumo.net

**JUMO Instrument Co. Ltd.**  
 JUMO House  
 Temple Bank, Riverway  
 Harlow - Essex CM20 2DY, UK  
 Phone: +44 1279 63 55 33  
 Fax: +44 1279 63 52 62  
 E-mail: sales@jumo.co.uk  
 Internet: www.jumo.co.uk

**JUMO Process Control, Inc.**  
 8 Technology Boulevard  
 Canastota, NY 13032, USA  
 Phone: 315-697-JUMO  
 1-800-554-JUMO  
 Fax: 315-697-5867  
 E-mail: info@jumo.us  
 Internet: www.jumo.us



## Setup program

The setup program serves to configure transmitters and receivers by means of a PC. The configuration data can be archived on data carriers and printed.

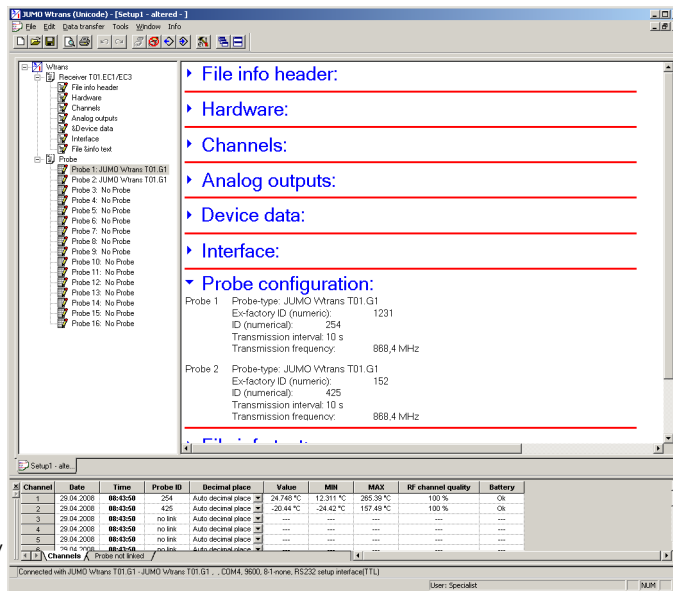
Configurable parameters:

- Probe detection (probe ID)
- Transmission interval
- Transmission frequency (with 915 MHz only)

Factory-set values:

- Probe detection (probe ID) consecutively
- Transmission interval (10s)
- Transmission frequency (868.4 MHz or 915.4 MHz)

The setup program can be used to overwrite changed parameters with the factory settings at any time. The connection between probe and PC is established via a PC interface (USB/TTL or TTL/RS232 converter).



**JUMO GmbH & Co. KG**  
 Delivery address: Mackenrodtstraße 14,  
 36039 Fulda, Germany  
 Postal address: 36035 Fulda, Germany  
 Phone: +49 661 6003-0  
 Fax: +49 661 6003-607  
 E-mail: mail@jumo.net  
 Internet: www.jumo.net

**JUMO Instrument Co. Ltd.**  
 JUMO House  
 Temple Bank, Riverway  
 Harlow - Essex CM20 2DY, UK  
 Phone: +44 1279 63 55 33  
 Fax: +44 1279 63 52 62  
 E-mail: sales@jumo.co.uk  
 Internet: www.jumo.co.uk

**JUMO Process Control, Inc.**  
 8 Technology Boulevard  
 Canastota, NY 13032, USA  
 Phone: 315-697-JUMO  
 1-800-554-JUMO  
 Fax: 315-697-5867  
 E-mail: info@jumo.us  
 Internet: www.jumo.us



**Order details: JUMO Wtrans probe T01.G1 Insertion temperature probe**

**(1) Basic type**

902930/10	Wtrans probes T01.G1 RTD insertion temperature probes
-----------	--



x	596	<b>(2) Operating temperature range in °C</b> -30 ... +260°C
x	1006	<b>(3) Measurement insert</b> 1x Pt 1000 in 3-wire-circuit
x	2	<b>(4) Tolerance class per DIN EN 60 751</b> Class A
x	1,9	<b>(5) Probe diameter D in mm</b> Ø 1.9mm (particularly fast response) stepped down from Ø 4mm to Ø 1.9mm, only available with flat insertion tip
x	4	Ø 4mm
x	4,5	Ø 4.5mm
x	6	Ø 6mm
x	100	<b>(6) Fitting length EL in mm (50 ≤ EL ≤ 1000)</b> 100mm
x	150	150mm
x	200	200mm
x	...	Specification in plain text (50mm steps)
x	1	<b>(7) Insertion tip</b> Flat
x	2	Concentric, angled at 25°
x	3	Oblique, angled at 45°
x	10	<b>(8) Transmission frequency</b> ISM band 868.4 MHz (Europe)
x	20	915 MHz (America, Australia, Canada and New Zealand)
x	000	<b>(9) Process connection</b> None
x	103	Screw connection (thread) G 3/8
x	104	Screw connection (thread) G 1/2
x	253	Thermowell screw connection G 3/8 (for a 6mm diameter only)
x	254	Thermowell screw connection G 1/2 (for a 6mm diameter only)
x	000	<b>(10) Extra codes</b> None
x	778	Customer-specific transmission interval, factory setting 10s (specification in plain text between 1 ... 3600s)

	(1)	(2)	(3)	(4)	(5)	(6)	(7)	(8)	(9)	(10)
<b>Order code</b>	<input type="text"/>	- <input type="text"/>	- <input type="text"/>	- <input type="text"/>	- <input type="text"/>	- <input type="text"/>	- <input type="text"/>	- <input type="text"/>	- <input type="text"/>	/ <input type="text"/>
<b>Order example</b>	902930/10	- 596	- 1006	- 2	- 4	- 100	- 2	- 10	- 000	/ 000

**JUMO GmbH & Co. KG**

Delivery address: Mackenrodtstraße 14,  
36039 Fulda, Germany  
Postal address: 36035 Fulda, Germany  
Phone: +49 661 6003-0  
Fax: +49 661 6003-607  
E-mail: mail@jumo.net  
Internet: www.jumo.net

**JUMO Instrument Co. Ltd.**

JUMO House  
Temple Bank, Riverway  
Harlow - Essex CM20 2DY, UK  
Phone: +44 1279 63 55 33  
Fax: +44 1279 63 52 62  
E-mail: sales@jumo.co.uk  
Internet: www.jumo.co.uk

**JUMO Process Control, Inc.**

8 Technology Boulevard  
Canastota, NY 13032, USA  
Phone: 315-697-JUMO  
1-800-554-JUMO  
Fax: 315-697-5867  
E-mail: info@jumo.us  
Internet: www.jumo.us



## Scope of delivery

- 1 device in the version ordered
- 1 pre-converted lithium battery 3.6V, 2.1Ah with 2 black seals
- 4 colour rings made of silicone (white, green, red, blue) for visual probe identification
- 1 operating manual B 90.2930.0

## Accessories

- 1 Set-up program on CD-ROM, multilingual
- 1 pre-converted lithium battery 3.6V, 2.1Ah with 2 black seals
- 4 colour rings made of silicone (white, green, red, blue) for visual probe identification
- 1 colour cap set made of PEI (Polyetherimid) (content 10 caps, grey) for visual probe identification
- 1 colour cap set made of PEI (Polyetherimid) (content 10 caps, brown) for visual probe identification
- 1 colour cap set made of PEI (Polyetherimid) (content 10 caps, green) for visual probe identification
- 1 colour cap set made of PEI (Polyetherimid) (content 10 caps, blue) for visual probe identification
- 1 PC interface with USB/TTL converter, adapter (socket connector) and adapter (pins)
- 1 PC interface with TTL/RS232 converter and adapter (socket connector)
- 1 Wall holder for Wtrans probe with thermowell diameter 4mm
- 1 Wall holder for Wtrans probe with thermowell diameter 4.5mm
- 1 Wall holder for Wtrans probe with thermowell diameter 6mm
- 1 Wall holder for Wtrans probe with thermowell diameter 12mm

**Sales****No.:**

90/00488887  
90/00489044  
90/00489047  
90/00525950  
90/00525951  
90/00525952  
90/00525953  
70/00456352  
70/00350260  
90/00503317  
90/00503326  
90/00503328  
90/00503329

## Stock version

**Sales****No.**

(1) (2) (3) (4) (5) (6) (7) (8) (9) (10) / 000  
902930/10 - 596 - 1006 - 2 - 4 - 100 - 2 - 10 - 000 / 000 90/00493668

**JUMO GmbH & Co. KG**  
 Delivery address: Mackenrodtstraße 14,  
 36039 Fulda, Germany  
 Postal address: 36035 Fulda, Germany  
 Phone: +49 661 6003-0  
 Fax: +49 661 6003-607  
 E-mail: mail@jumo.net  
 Internet: www.jumo.net

**JUMO Instrument Co. Ltd.**  
 JUMO House  
 Temple Bank, Riverway  
 Harlow - Essex CM20 2DY, UK  
 Phone: +44 1279 63 55 33  
 Fax: +44 1279 63 52 62  
 E-mail: sales@jumo.co.uk  
 Internet: www.jumo.co.uk

**JUMO Process Control, Inc.**  
 8 Technology Boulevard  
 Canastota, NY 13032, USA  
 Phone: 315-697-JUMO  
 1-800-554-JUMO  
 Fax: 315-697-5867  
 E-mail: info@jumo.us  
 Internet: www.jumo.us



## Order details: JUMO Wtrans probe T01.G1 Mineral insulated temperature probe

### (1) Basic type

902930/12	Wtrans probes T01.G1 Mineral insulated temperature probe with flexible thermowell
-----------	---



x	596	<b>(2) Operating temperature range in °C</b> -30 ... +260°C
x	1006	<b>(3) Measurement insert</b> 1x Pt 1000 in 3-wire-circuit
x	2	<b>(4) Tolerance class per DIN EN 60 751</b> Class A
x	1,9	<b>(5) Probe diameter D in mm</b> Ø 1.9mm
x	3	Ø 3mm
x	6	Ø 6mm
x	100	<b>(6) Fitting length EL in mm (100≤EL≤10000)</b> 100mm
x	150	150mm
x	...	Specification in plain text (50mm steps)
x	1	<b>(7) Insertion tip</b> Flat
x	10	<b>(8) Transmission frequency</b> ISM band 868.4 MHz (Europe)
x	20	915 MHz (America, Australia, Canada and New Zealand)
x	000	<b>(9) Process connection</b> None
x	252	Thermowell screw connection G 1/4 (for a 6mm diameter only)
x	253	Thermowell screw connection G 3/8 (for a 6mm diameter only)
x	254	Thermowell screw connection G 1/2 (for a 6mm diameter only)
x	255	Thermowell screw connection G 3/4 (for a 6mm diameter only)
x	261	Thermowell screw connection M 8x1 (for a 3mm diameter only)
x	263	Thermowell screw connection M 10x1 (for a 6mm diameter only)
x	291	Thermowell screw connection 1/2-14NPT (for a 6mm diameter only)
x	662	Metal flange (for a thermowell diameter of 6mm only)
x	000	<b>(10) Extra codes</b> None
x	778	Customer-specific transmission interval, factory setting 10s (specification in plain text between 1 ... 3600s)

	(1)	(2)	(3)	(4)	(5)	(6)	(7)	(8)	(9)	(10)
Order code										
Order example	902930/12	- 596	- 1006	- 2	- 3	- 100	- 1	- 10	- 000	/ 000

## Scope of delivery

- 1 device in the version ordered
- 1 pre-converted lithium battery 3.6V, 2.1Ah with 2 black seals
- 4 colour rings made of silicone (white, green, red, blue) for visual probe identification
- 1 Operating Manual 90.2930.0

## Accessories

- 1 Set-up program on CD-ROM, multilingual
- 1 pre-converted lithium battery 3.6V, 2.1Ah with 2 black seals
- 4 colour rings made of silicone (white, green, red, blue) for visual probe identification
- 1 colour cap set made of PEI (Polyetherimid) (content 10 caps, grey) for visual probe identification
- 1 colour cap set made of PEI (Polyetherimid) (content 10 caps, brown) for visual probe identification
- 1 colour cap set made of PEI (Polyetherimid) (content 10 caps, green) for visual probe identification
- 1 colour cap set made of PEI (Polyetherimid) (content 10 caps, blue) for visual probe identification
- 1 PC interface with USB/TTL converter, adapter (socket connector) and adapter (pins)
- 1 PC interface with TTL/RS232 converter and adapter (socket connector)
- 1 Wall holder for Wtrans probe with thermowell diameter 4mm
- 1 Wall holder for Wtrans probe with thermowell diameter 4.5mm
- 1 Wall holder for Wtrans probe with thermowell diameter 6mm
- 1 Wall holder for Wtrans probe with thermowell diameter 12mm

## Sales No.:

- 90/00488887
- 90/00489044
- 90/00489047
- 90/00525950
- 90/00525951
- 90/00525952
- 90/00525953
- 70/00456352
- 70/00350260
- 90/00503317
- 90/00503326
- 90/00503328
- 90/00503329

**JUMO GmbH & Co. KG**  
 Delivery address: Mackenrodtstraße 14,  
 36039 Fulda, Germany  
 Postal address: 36035 Fulda, Germany  
 Phone: +49 661 6003-0  
 Fax: +49 661 6003-607  
 E-mail: mail@jumo.net  
 Internet: www.jumo.net

**JUMO Instrument Co. Ltd.**  
 JUMO House  
 Temple Bank, Riverway  
 Harlow - Essex CM20 2DY, UK  
 Phone: +44 1279 63 55 33  
 Fax: +44 1279 63 52 62  
 E-mail: sales@jumo.co.uk  
 Internet: www.jumo.co.uk

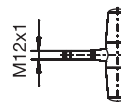
**JUMO Process Control, Inc.**  
 8 Technology Boulevard  
 Canastota, NY 13032, USA  
 Phone: 315-697-JUMO  
 1-800-554-JUMO  
 Fax: 315-697-5867  
 E-mail: info@jumo.us  
 Internet: www.jumo.us



## Order details: JUMO Wtrans probe T01.G2 with M12 connection

### (1) Basic type

902930/50	Wtrans probes T01.G2 with M12 connection for RTD temperature probes
-----------	---



x	150	(2) Operating temperature range in °C -200 ... +600°C
---	-----	--

x	1006	(3) Measuring input 1x Pt 1000 in 3-wire-circuit
---	------	---

x	10	(4) Transmission frequency ISM band 868.4 MHz (Europe)
---	----	---

x	20	915 MHz (America, Australia, Canada and New Zealand)
---	----	--

x	000	(5) Extra codes None
---	-----	-------------------------

x	778	Customer-specific transmission interval, factory setting 10s (specification in plain text between 1 ... 3600s)
---	-----	--

Order code	(1)	(2)	(3)	(4)	(5)
Order example	902930/50	150	1006	10	000

## Scope of delivery

- 1 device in the version ordered
- 1 pre-converted lithium battery 3.6V, 2.1Ah with 2 black seals
- 4 colour rings made of silicone (white, green, red, blue) for visual probe identification
- 1 Operating Manual 90.2930.0

## Accessories

- 1 Set-up program on CD-ROM, multilingual
- 1 pre-converted lithium battery 3.6V, 2.1Ah with 2 black seals
- 4 colour rings made of silicone (white, green, red, blue) for visual probe identification
- 1 colour cap set made of PEI (Polyetherimid) (content 10 caps, grey) for visual probe identification
- 1 colour cap set made of PEI (Polyetherimid) (content 10 caps, brown) for visual probe identification
- 1 colour cap set made of PEI (Polyetherimid) (content 10 caps, green) for visual probe identification
- 1 colour cap set made of PEI (Polyetherimid) (content 10 caps, blue) for visual probe identification
- 1 PC interface with USB/TTL converter, adapter (socket connector) and adapter (pins)
- 1 PC interface with TTL/RS232 converter and adapter (socket connector)
- 1 Wall holder for Wtrans probe with thermowell diameter 4mm
- 1 Wall holder for Wtrans probe with thermowell diameter 4.5mm
- 1 Wall holder for Wtrans probe with thermowell diameter 6mm
- 1 Wall holder for Wtrans probe with thermowell diameter 12mm
- 1 Machine connector M12x1, 4-pin according to IEC 60 947-5-2

### Sales No.:

- 90/00488887
- 90/00489044
- 90/00489047
- 90/00525950
- 90/00525951
- 90/00525952
- 90/00525953
- 70/00456352
- 70/00350260
- 90/00503317
- 90/00503326
- 90/00503328
- 90/00503329
- 90/00506319

### Push-in RTD temperature probe with Pt 1000 temperature probe and machine connector M12x1

- 1 Type 902105/30-386-1006-2-6-100-80-2500/315, 317  
Thermowell diameter 6mm, fitting length 100mm, connection cable length 2500mm
- 1 Type 902105/30-386-1006-2-6-200-80-2500/315, 317  
Thermowell diameter 6mm, fitting length 200mm, connection cable length 2500mm

- 90/00514417
- 90/00514440

**Note:** For screw-connections and flanges, refer to type sheet 90.9725

## Stock version

(1)	(2)	(3)	(4)	(5)	Sales No.
902930/50	150	1006	10	000	90/00506791